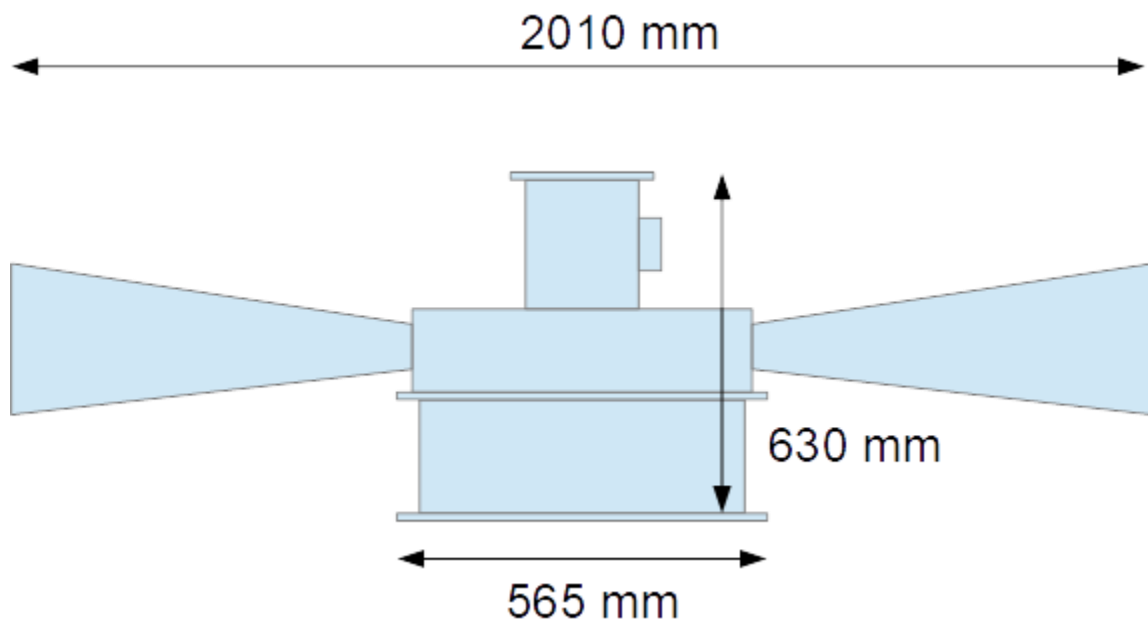




## Electromechanical Pakita Siren LCi type (with horns)



- Weight : 145 kg (with horns)
- Head in aluminum AS10G
- Asynchronous motor : Three-phase - 4 kW - 230V/400V – 2750 rpm
- Sound power : 120 dBA at 10 meters
- Sound : 380Hz – Sharp F – 3<sup>th</sup> octave
- Lifting ring spacing  $\varnothing$  535 mm and attachment hole spacing  $\varnothing$  465 mm or  $\varnothing$  535 mm
- Options :
  - o Control cabinet (or Control box)
  - o A set of 8 galvanized loudspeaker horns
  - o Proximity switch disconnecter
  - o Elevating base  $\varnothing$  495X330 mm