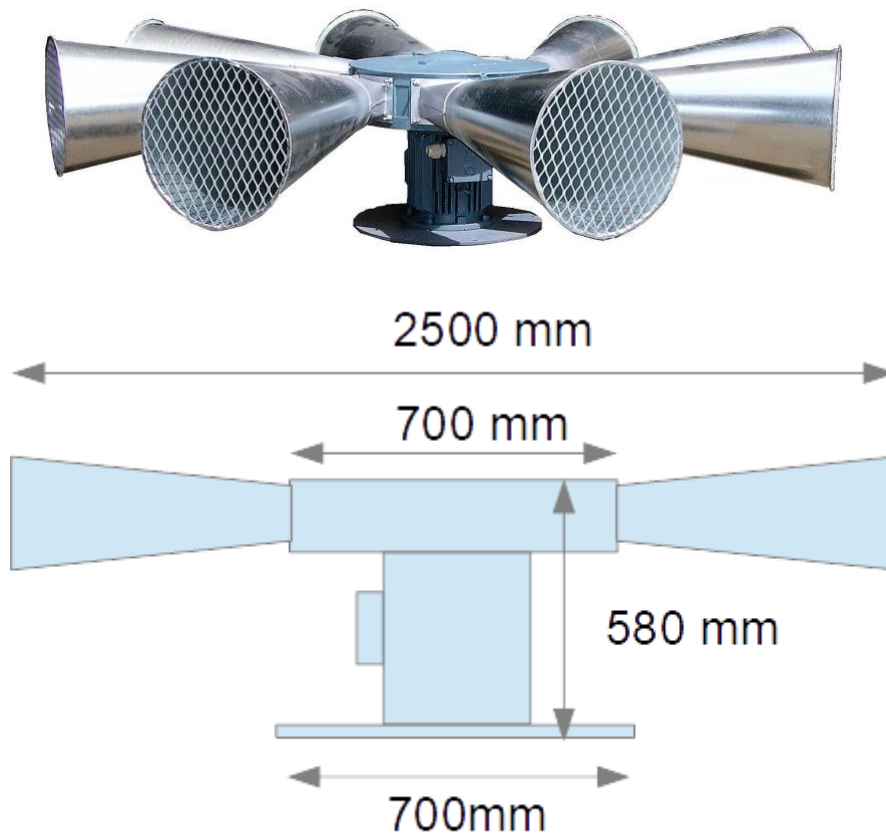




Electromechanic Warning Pakita Siren DS type



- Weight : 207 kg (with amplifier loudspeaker horns)
- Siren head made of Aluminum AS10G
- Asynchronous motor : Three-phase 230V/400V – 2750 rpm
- Sound Power : 130 dBA at 10 meters (32.8 Ft)
- Sound : 380Hz – Sharp F – 3rd octave
- Lifting rings and fixture whole (\varnothing 670 mm)
- Options :
 - o Control Cabinet
 - o Proximity switch disconnecter